

User Manual

19*60W Mega Wash



**ART
NET**
ETHERNET



RDM
REMOTE DEVICE
MANAGEMENT

sACN

SAFETY PRECAUTIONS

This fixture is a sophisticated piece of electronic equipment. To guarantee a smooth operation, it is important to follow all instructions and guidelines in this manual. Professional is not responsible for injuries and/or damages resulting from the misuse of this fixture due to the disregard of the information printed in this manual. Only qualified and/or certified personnel should perform installation of this fixture and only the original rigging parts included with this fixture should be used for installation. Any modifications to the fixture and/ or the included mounting hardware will void the original manufacturer's warranty and increase the risk of damage and/or personal injury.



PROTECTION CLASS 1 - FIXTURE MUST BE PROPERLY GROUNDED.



THERE ARE NO USER SERVICEABLE PARTS INSIDE THIS UNIT. DO NOT ATTEMPT ANY REPAIRS YOURSELF, AS DOING SO WILL VOID YOUR MANUFACTURER'S WARRANTY. DAMAGES RESULTING FROM MODIFICATIONS TO THIS FIXTURE AND/OR THE DISREGARD OF SAFETY INSTRUCTIONS AND GUIDELINES IN THIS MANUAL VOID THE MANUFACTURER'S WARRANTY AND ARE NOT SUBJECT TO ANY WARRANTY CLAIMS AND/ OR REPAIRS.



**DO NOT PLUG FIXTURE INTO A DIMMER PACK!
NEVER OPEN THIS FIXTURE WHILE IN USE!
UNPLUG POWER BEFORE SERVICING FIXTURE!
NEVER TOUCH FIXTURE DURING OPERATION, AS IT MAY BE HOT! KEEP FLAMMABLE MATERIALS AWAY FROM FIXTURE!**



**NEVER LOOK DIRECTLY INTO THE LIGHT SOURCE!
RETINA INJURY RISK - MAY INDUCE BLINDNESS!
SENSITIVE PERSONS MAY SUFFER AN EPILEPTIC SHOCK!**



ENSURE ALL CONNECTIONS AND END CAPS ARE PROPERLY SEALED WITH A DIELECTRIC GREASE (AVAILABLE AT MOST ELECTRICAL SUPPLIERS) TO PREVENT WATER CORROSION AND/ OR ELECTRICAL SHORT CIRCUIT.



**MINIMUM DISTANCE TO OBJECTS/SURFACES
MUST BE 3.3 FEET (1 METER)
MAXIMUM TEMP OF EXTERNAL SURFACE 185° F (85° C)
MINIMUM DISTANCE OF FLAMMABLE MATERIALS FROM THE SURFACE IS 1.6 FEET (0.5 METER)**

SAFETY PRECAUTIONS

- DO NOT TOUCH the fixture housing during operation. Turn OFF the power and allow approximately 15 minutes for the fixture to cool down before servicing.
- DO NOT shake fixture, and avoid brute force when installing and/or operating fixture.
- DO NOT operate fixture if the power cord is frayed, crimped, damaged and/or if any of the power cord connectors are damaged and do not insert into the fixture securely with ease.
- NEVER force a power cord connector into the fixture. If the power cord or any of its connectors are damaged, replace it immediately with a new one of the same power rating.
- DO NOT block any air ventilation slots.
- All fan and air inlets must remain clean and never blocked.
- Allow approx. 6" (15cm) between fixture and other devices or a wall for proper cooling.
- Always disconnect fixture from main power source before performing any type of service and/or cleaning procedure.
- Only handle the power cord by the plug end. Never pull out the plug by tugging the wire portion of the cord.
- During the initial operation of this fixture, a light smoke or smell may emit from the interior of the fixture. This is a normal process and is caused by excess paint in the interior of the casing burning off from the heat associated with the lamp and will decrease gradually over time.
- Consistent operational breaks will ensure fixture will function properly for many years .
- ONLY use the original packaging and materials to transport the fixture in for service.

MAINTENANCE GUIDELINES



DISCONNECT POWER BEFORE PERFORMING ANY MAINTENANCE!

CLEANING

Frequent cleaning is recommended to ensure proper function, optimized light output, and an extended life. The frequency of cleaning depends on the environment in which the fixture operates: damp, smoky or particularly dirty environments can cause greater accumulation of dirt on the fixture's optics. Periodically clean the external lens surface with a soft cloth to avoid dirt/debris accumulation. **NEVER** use alcohol, solvents, or ammonia-based cleaners .

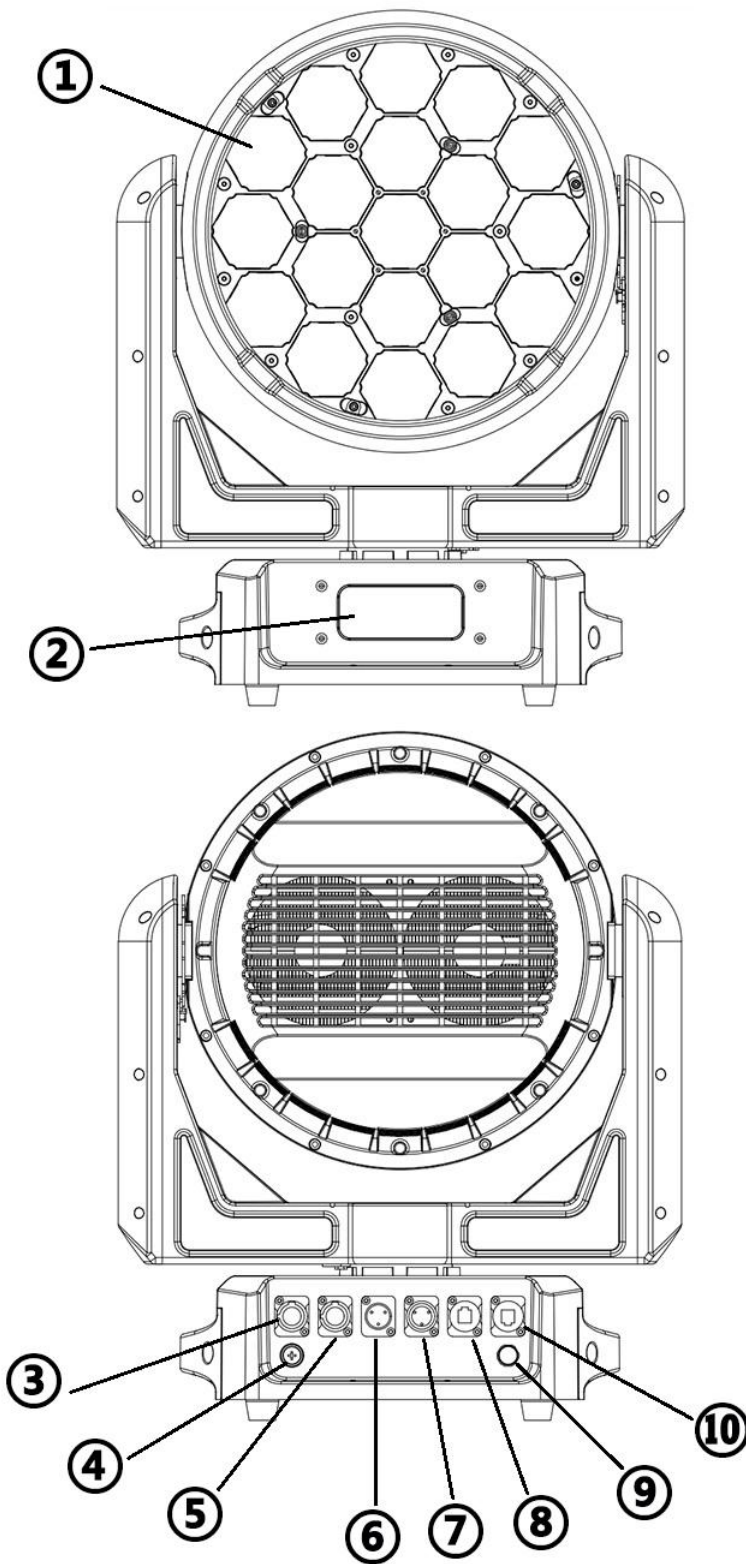
MAINTENANCE

Regular inspections are recommended to ensure proper function and extended life. There are no user serviceable parts inside this fixture. Please refer all other service issues to an authorized our service technician. Should you need any spare parts, please order genuine parts from your local dealer.

Please refer to the following points during routine inspections:

- A detailed electric check by an approved electrical engineer every three months, to make sure the circuit contacts are in good condition and prevent overheating.
- Be sure all screws and fasteners are securely tightened at all times. Loose screws may fall out during normal operation, resulting in damage or injury as larger parts could fall.
- Check for any deformations on the housing, color lenses, rigging hardware, and rigging points (ceiling, suspension, trussing). Deformations in the housing could allow for dust to enter into the fixture. Damaged rigging points or unsecured rigging could cause the fixture to fall and seriously injure a person(s).
- Electric power supply cables must not show any damage, material fatigue or sediments. **NEVER** remove the ground prong from the power cable.

OVERVIEW



1. Lens

2. System Menu LCD Display

3. Power Input

4. Fuse

5. Power Output

6. DMX Input

7. DMX Output

8. RJ45 Input

9. Value

10. RJ45 Output

INSTALLATION GUIDELINES



FLAMMABLE MATERIAL WARNING

Keep fixture minimum 5.0 feet (1.5m) away from flammable materials and/or pyrotechnics.



ELECTRICAL CONNECTIONS

A qualified electrician should be used for all electrical connections and/or installations.



MINIMUM DISTANCE TO SURFACES/OBJECTS IS 3.3 FEET (1 METER).

MINIMUM DISTANCE TO FLAMMABLE MATERIALS IS 1.6 FEET (0.5 METER).

EXTERNAL SURFACE CAN REACH TEMPERATURES OF 185° F (85° C).



DO NOT INSTALL THE FIXTURE IF YOU ARE NOT QUALIFIED TO DO SO!

Fixture **MUST** be installed following all local, national, and country commercial electrical and construction codes and regulations.

Before rigging/mounting a single fixture or multiple fixtures to any metal truss/structure or placing the fixture(s) on any surface, a professional equipment installer **MUST** be consulted to determine if the metal truss/structure or surface is properly certified to safely hold the combined weight of the fixture(s), clamps, cables, and accessories.

Overhead rigging requires extensive experience, including calculating working load limits, installation material being used, and periodic safety inspection of all installation material and the fixture, among other skills. If you lack these qualifications, do not attempt the installation yourself. Improper installation can result in bodily injury.

Fixture ambient operating temperature range is -4° to 113°F (-20° to 45°C). Do not operate the fixture when the ambient temperature falls outside of this range.

Fixture(s) should be installed away from walking paths, seating areas, or areas where unauthorized personnel might reach the fixture by hand.

NEVER stand directly below the fixture(s) when rigging, removing, or servicing.

Overhead fixture installation must always be secured with a secondary safety attachment, such as an appropriately rated safety cable.

Allow approximately 15 minutes for the fixture to cool down before serving.

INSTALLATION GUIDELINES

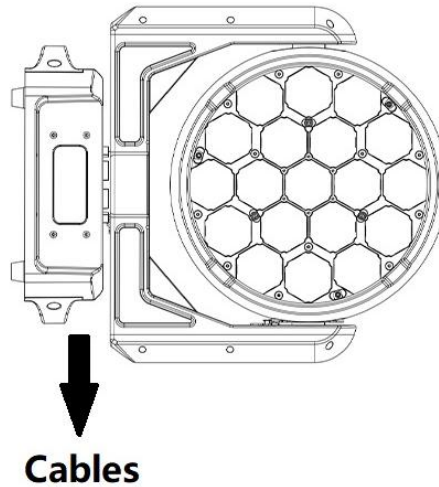
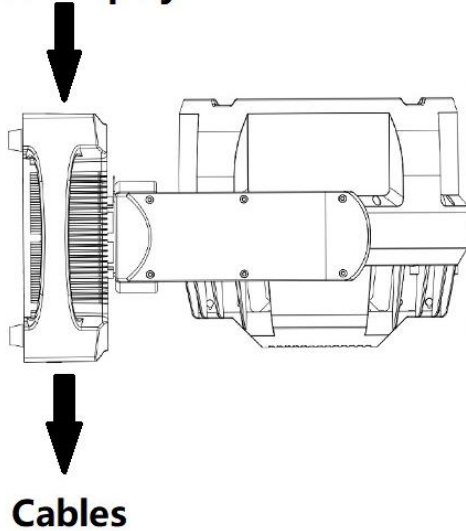
POWER AND DATA CABLES



TO MAINTAIN THE IP65 RATING INTEGRITY OF THE FIXTURE, ALL CABLES MUST BE RUN TOWARDS THE GROUND IN ORDER TO PREVENT WATER ACCUMULATION AROUND THE CONNECTIONS.

System Menu

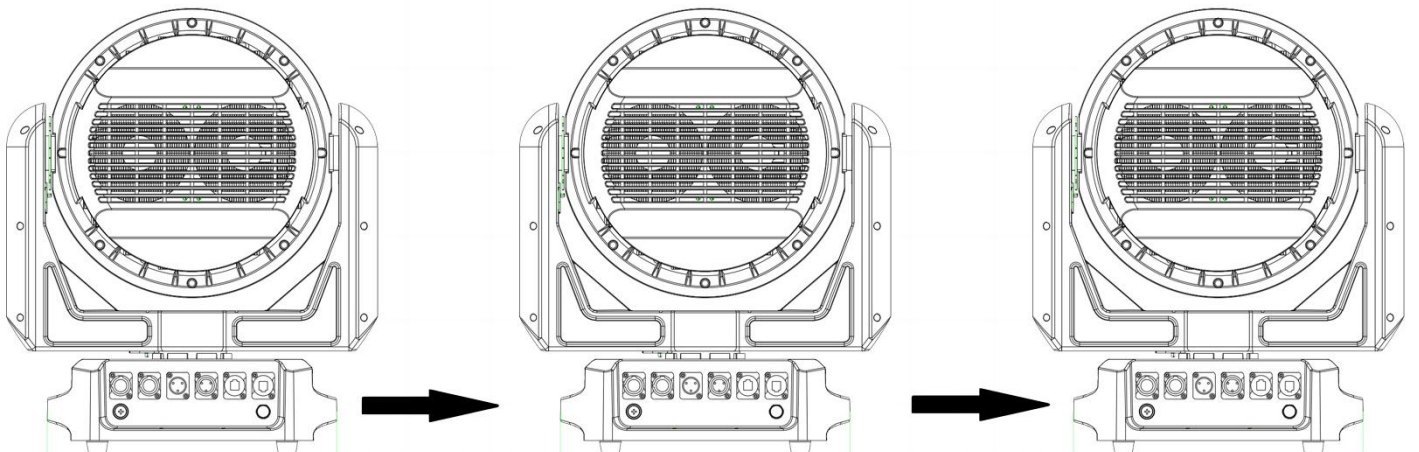
LCD Display



RJ45 DATA CABLES



THE INCLUDED RJ45 DATA CABLE IS FOR FIXTURE TO FIXTURE INTERCONNECTIONS ONLY! THE RJ45 CABLE CONNECTORS MAY NOT BE COMPATIBLE WITH OTHER RJ45 OR ETHERNET TYPE CONNECTORS.



INSTALLATION GUIDELINES

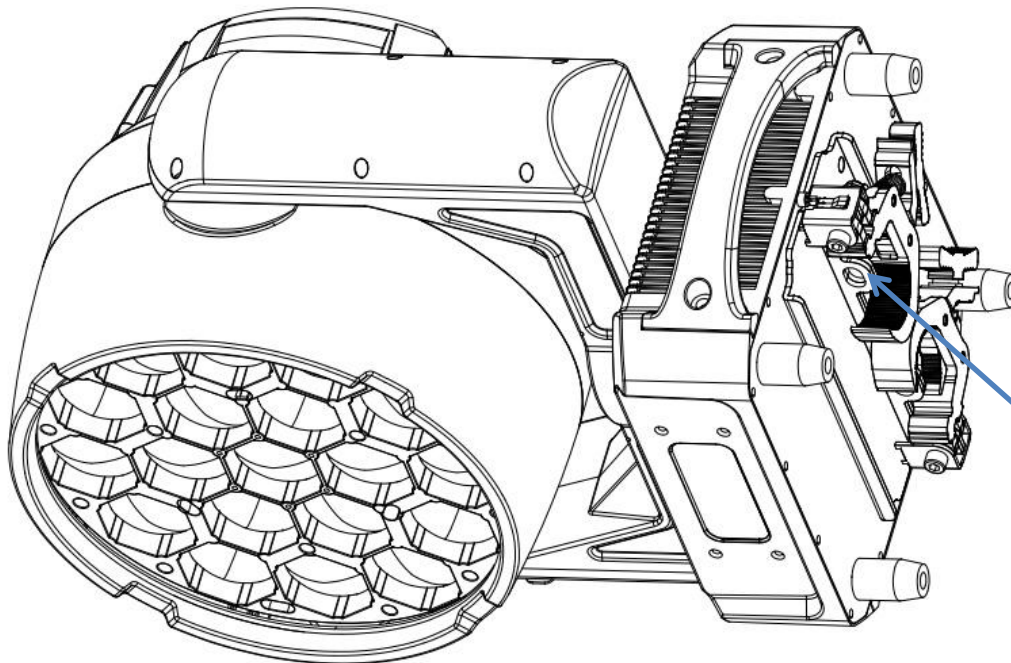
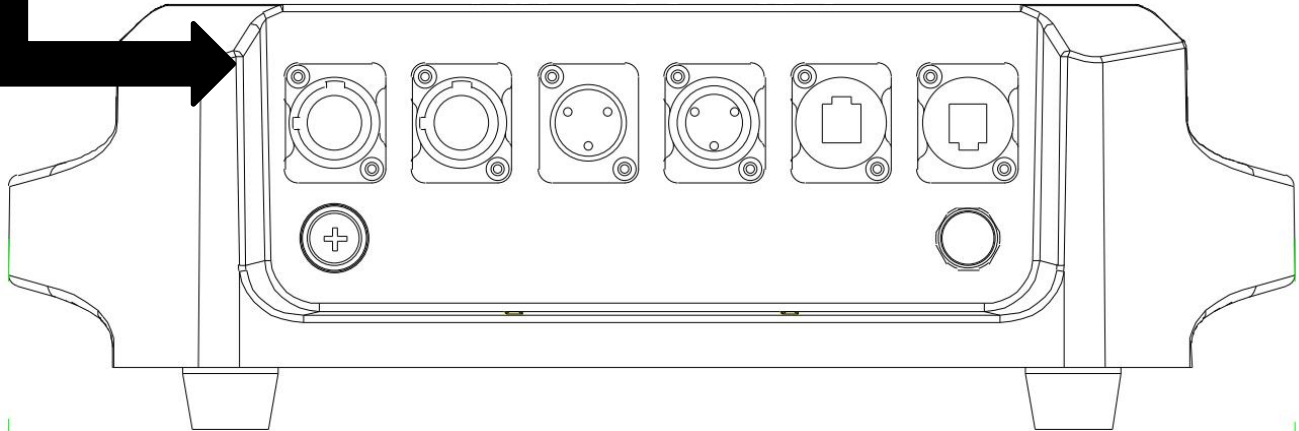
POWER AND DATA CONNECTIONS



ENSURE ALL CONNECTIONS AND END CAPS ARE PROPERLY SEALED WITH A DIELECTRIC GREASE (AVAILABLE AT MOST ELECTRICAL SUPPLIERS) IN ORDER TO PREVENT WATER CORROSION AND/ OR ELECTRICAL SHORT CIRCUIT.



TO MAINTAIN IP65 RATING INTEGRITY AND PREVENT WATER FROM ENTERING THE FIXTURE, SEAL ALL UNUSED CONNECTION RUBBER CAPS.



SAFETY
CABLE
LOOP



ALWAYS ATTACH A SAFETY CABLE WHENEVER INSTALLING THIS DEVICE IN A SUSPENDED ENVIRONMENT TO ENSURE THE FIXTURE WILL NOT FALL IF THE CLAMP FAILS!

SYSTEM MENU

Main Menu	Sub Menu	Option/Value	Option/Value	
Address	001			
	...			
	512			
Channel	026CH			
	098CH			
	251CH			
	321CH			
Setting	Control Mode	DMX		
		Artnet		
		DMX+Artnet		
		sACN		
		DMX+sACN		
	Dimmer Mode	Linear		
		Square		
		I-Square		
		S-Shape		
	Dimmer Speed	Slow		
		Fast		
	LED Frequency	400HZ		
		1200HZ		
		2000HZ		
		4000HZ		
		6000HZ		
		8000HZ		
		16000HZ		
	White Balance	Red	000-255	
		Green	000-255	
		Blue	000-255	
		Lime	000-255	
	FAN Mode	Auto		
		Silent		
		Full		
	Calibration	Invert Pan	NO/YES	
		Invert Tilt	NO/YES	
		System Calibration	PAN 0~255	
			Tilt 0~255	
			Focus 0~255	
	Rotate 0~255			
	Language	Chinese		
English				

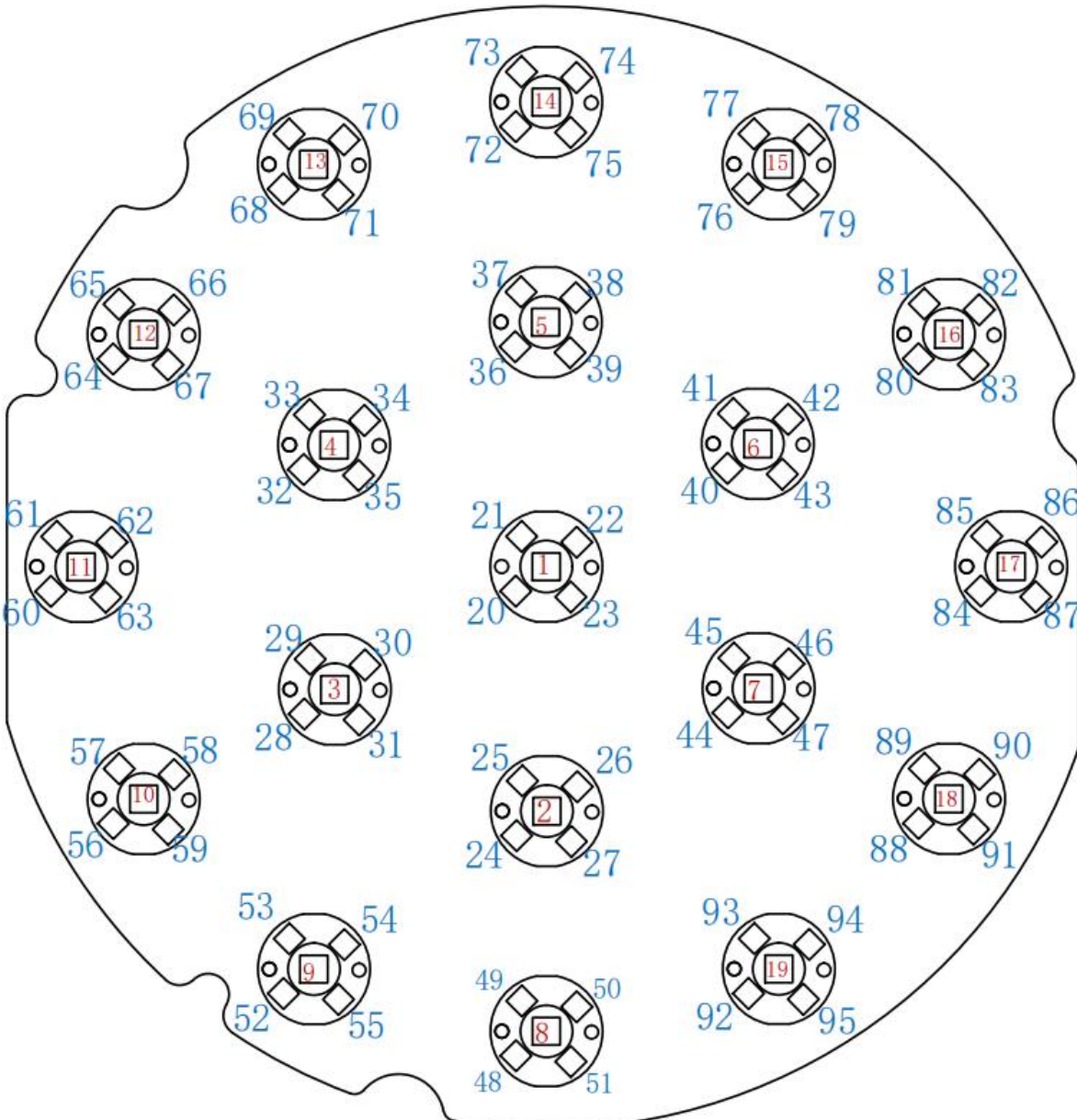
	Display	ON	
		10S	
		30S	
		1min	
	Invert Screen	OFF	
		ON	
	Signal Keep	NO/YES	
	Screen Lock	NO/YES	
Load Default	NO/YES		
Network	Internet	IP	002.000.000.001
		MS	255.000.000.000
	Universe	Net(0~127)	000~127
		Sub_Universe	000~255
Manual	Pan	000~255	
	Tile	000~255	
	Zoom	000~255	
	Rotation	000~255	
	Red	000~255	
	Green	000~255	
	Blue	000~255	
	Lime	000~255	
	Spark Red	000~255	
	Spark Green	000~255	
	Spark Blue	000~255	
	Effect	000~255	
	Spark Effect	000~255	
Reset	Reset Effect		
	Reset Scan		
	Rest All		

LIGHTING CONSOLE PATCHING GUIDELINES



The product is a versatile luminaire which combines two fixtures into one housing, allowing it to produce multiple unique lighting effects typically not found in a single lighting fixture. The DMX layout is designed to offer a variety of options for controlling each fixture efficiently.

The main fixture contains 19*60W RGLB LEDs, while the Aura effects contains 76*0.5W RGB LEDs. For ease of use the DMX layout is arranged to allow lighting consoles to separate the fixture into multiple segments or parts. It is especially important to arrange the fixture in such segments or parts when using the fixture in the full extended 321 channel DMX mode. For simpler programming, reduced DMX channel modes can be used. However, for easy recall of interesting pixel animations, both the RGLB and Aura LED fixtures contain two FX systems: one which controls the RGLB cells, and a second that is dedicated to the Aura LEDs.

The pixels are arranged in a grid pattern as illustrated below. (RGLB 1-19 / Aura LED 20-91)



OPTICAL PARAMETERS

Product		Model				Ambient temperature and humidity				Test Tool
19*60W Mega Wash IP		AL-MH1960IP				25° C / 75%				C-800
Min.Field angle 10°					Max.Field angle 61°					
F(lux)	145200	71500	24200	5973	F(lux)	5203	1936	629	198	
R(lux)	14960	9724	3267	747	R(lux)	729	252	103	40	
G(lux)	45540	28270	9658	2431	G(lux)	2123	821	278	38	
B(lux)	8998	4840	1727	436	B(lux)	389	169	77	21	
L(lux)	60390	34100	11660	2827	L(lux)	2453	943	319	79	
										
Distance(m)	3	5	10	20	Distance(m)	3	5	10	20	
Diameter(m)	Φ0.53	Φ0.7	Φ1.35	Φ2.4	Diameter(m)	Φ3.5	Φ5.5	Φ11.9	Φ23.42	

DMX CHART

26CH Mode(DMX,ArtNet,sACN)

CH	Value	Function	Description
1CH	0-255	Pan	0°- 540°
2CH	0-255	Pan Fine	16 bit adjustable
3CH	0-255	Tilt	0°- 205°
4CH	0-255	Tile Fine	16 bit adjustable
5CH	0-255	Pan/Tilt speed	fast to slow
6CH	0-255	Zoom	3°- 45°
7CH	0-255	Built-in program of the main LED Fade	The higher value – heavier fade
8CH	0-255	Lens Rotation	
	0-127	Index angle	0°-360°
	128-190	Clockwise rotation	fast to slow
	191-192	Stop	
	193-255	Counterclockwise rotation	slow to fast
9CH	0-255	Control	The value must stop for 5 seconds to make Effect
	0-10	No Function	
	11-16	Dimmer smooth	Dimmer menu set to smooth
	17-21	Dimmer Fast	Dimmer menu set to fast
	22-26	LED Frequency	400HZ
	27-31		1200HZ
	32-36		2000HZ
	37-41		4000HZ
	42-46		6000HZ
	47-51		8000HZ
	52-56		16000HZ
	57-61		24000HZ
	62-66	Dimmer Mode	Linear
	67-71		Square
	72-76		I-Square
	77-81		S-Shape
	82-86	Fan Mode	Fan Auto
	87-91		Fan Silent
	92-96		Fan Full
	97-101	Screen Lock	YES
	102-106		NO
	107-111	Display	ON
	112-116		10S
	117-121		30S
	122-126		1min
	127-200	No Function	
	201-215	Reset	Effect motor reset
	216-230		Pan/Tilt motor reset
	231-245		Overall reset
	246-255	No Function	
10CH	0-255	Master Dimmer	Dark to light
11CH	0-255	Master Dimmer Fine	

12CH	0-255	60W LED strobe	
	0-5	/	
	6-55	Synchronous strobe	From slow to fast
	56-105	Pulse strobe	From slow to fast
	106-155	Random strobe	From slow to fast
	156-205	Gradient Strobe1	The larger value, the faster speed Dark to light
	206-255	Gradient Strobe2	The larger value, the faster speed Light to dark
13CH	0-255	Aura Strobe	
	0-5	/	
	6-55	Synchronous strobe	The larger value, the faster speed
	56-105	Pulse strobe	The larger value, the faster speed
	106-155	Random strobe	The larger value, the faster speed
	156-205	Gradient Strobe1	The larger value, the faster speed Dark to light
	206-255	Gradient Strobe2	The larger value, the faster speed Light to dark
14CH	0-255	60W Red	Dark to light
15CH	0-255	60W Green	Dark to light
16CH	0-255	60W Blue	Dark to light
17CH	0-255	60W Lime	Dark to light
18CH	0-255	Aura Red	Dark to light
19CH	0-255	Aura Green	Dark to light
20CH	0-255	Aura Blue	Dark to light
21CH	0-255	60W Built in program	Program1-program16
	0-5	/	
	6-20	Program 1	Program color is controlled by 60W color channel
	21-35	Program 2	
	36-50	Program 3	
	51-65	Program 4	
	66-80	Program 5	
	81-95	Program 6	
	96-110	Program 7	
	111-125	Program 8	
	126-140	Program 9	
	141-155	Program 10	
	156-170	Program 11	
	171-185	Program 12	
	186-200	Program 13	
	201-215	Program 14	
	216-230	Program 15	
231-245	Program 16		
246-255	Auto -built-in programs	Program 1-Program 16 loop play	
22CH	0-255	60W Program Speed	0-127 INDEX ,128 – stop 129-191 clockwise rotation from fast to slow, 192 stop, 193-255 counterclockwise rotate slow to fast
23CH	0-255	Aura built-in program	Program1-program16
	0-5	/	
	6-20	Program 1	Program controlled by auxiliary light color channel
	21-35	Program 2	
	36-50	Program 3	
	51-65	Program 4	

	66-80	Program 5	
	81-95	Program 6	
	96-110	Program 7	
	111-125	Program 8	
	126-140	Program 9	
	141-155	Program 10	
	156-170	Program 11	
	171-185	Program 12	
	186-200	Program 13	
	201-215	Program 14	
	216-230	Program 15	
	231-245	Program 16	
	246-255	Auto -built-in programs	Program 1-Program 16 loop play
24CH	0-255	Aura program speed	0-127 INDEX ,128 – stop 129-191 clockwise rotation from fast to slow, 192 stop, 193-255 counterclockwise rotate slow to fast
	0-255	Marco Color	
	0-45		
	46-50	Cyan	R=000,G=255,B=255,L=000
	51-55	Yellow	R=255,G=255,B=000,L=000
	56-60	Magenta	R=255,G=000,B=255,L=000
	61-65	Medium Yellow	R=156,G=126,B=000,L=000
	66-70	Straw Tint	R=152,G=115,B=009,L=000
	71-75	Surprise Peach	R=198,G=114,B=009,L=000
	76-80	Fire	R=255,G=056,B=000,L=000
	81-85	Medium Amber	R=255,G=135,B=000,L=000
	86-90	Gold Amber	R=255,G=100,B=000,L=000
	91-95	Dark Amber	R=255,G=065,B=000,L=000
	96-100	Sunrise Red	R=255,G=083,B=002,L=000
	101-105	Light Pink	R=255,G=112,B=000,L=141
	106-110	Medium Pink	R=255,G=087,B=000,L=107
	111-115	Pink Carnation	R=255,G=107,B=000,L=130
	116-120	Light Lavender	R=243,G=117,B=039,L=197
25CH	121-125	Sky Blue	R=000,G=255,B=135,L=000
	126-130	Just Blue	R=000,G=194,B=130,L=000
	131-135	Dark yellow green	R=041,G=219,B=000,L=000
	136-140	Spring Yellow	R=245,G=202,B=000,L=000
	141-145	Light Amber	R=237,G=163,B=000,L=000
	146-150	Straw Tint	R=230,G=160,B=000,L=069
	151-155	Deep Amber	R=255,G=166,B=000,L=000
	156-160	Orange	R=255,G=122,B=000,L=000
	161-165	Light Rose	R=255,G=141,B=031,L=000
	166-170	Middle Rose	R=217,G=130,B=028,L=000
	171-175	Dark Pink	R=255,G=109,B=033,L=000
	176-180	Magenta	R=255,G=020,B=015,L=000
	181-185	Peacock Blue	R=051,G=255,B=051,L=000
	186-190	Steel Blue	R=206,G=255,B=056,L=000
	191-195	Light Blue	R=074,G=255,B=082,L=000
	196-200	Dark Blue	R=000,G=186,B=255,L=000
	201-205	Leaf Green	R=206,G=255,B=000,L=000
	206-210	Dark Green	R=084,G=255,B=013,L=000

	211-215	Mauve	R=227,G=041,B=056,L=000
	216-220	Deep Golden Amber	R=255,G=058,B=000,L=000
	221-225	Pale Lavender	R=255,G=197,B=061,L=000
	226-230	Primary Green	R=077,G=255,B=000,L=000
	231-235	Bright Blue	R=000,G=255,B=087,L=000
	235-240	Apricot	R=255,G=143,B=013,L=000
	241-245	Pale Gold	R=253,G=171,B=026,L=000
	246-250	Deep Orange	R=222,G=084,B=000,L=000
	251-255	Flame Red	R=255,G=046,B=002,L=000
26CH	0-255	Color temperature preset	Color temperature 2000K-8000K
	0-17	Off light	
	18-34	8000K	R=255,G=182,B=110,L=255
	35-51	7500K	R=255,G=144,B=089,L=255
	52-68	6500K	R=255,G=129,B=081,L=255
	69-85	6000K	R=255,G=121,B=073,L=255
	86-102	5600K	R=255,G=106,B=066,L=255
	103-119	5000K	R=255,G=090,B=055,L=255
	120-136	4500K	R=255,G=071,B=043,L=255
	137-153	4000K	R=255,G=055,B=034,L=255
	154-170	3500K	R=255,G=029,B=024,L=255
	171-187	3200K	R=255,G=011,B=019,L=255
	188-204	3000K	R=255,G=004,B=016,L=255
	205-221	2700K	R=255,G=000,B=009,L=203
	222-238	2500K	R=255,G=000,B=004,L=172
239-255	2000K	R=255,G=000,B=000,L=105	

98CH Mode(Support DMX/Artnet/sACN.)

When you use DMX+Artnet mode, the 1-22CH are controlled by DMX protocol)

CH	Value	Function	Description
1CH	0-255	Pan	0°- 540°
2CH	0-255	Pan Fine	16 bit adjustable
3CH	0-255	Tilt	0°- 205°
4CH	0-255	Tile Fine	16 bit adjustable
5CH	0-255	Pan/Tilt speed	Dast to slow
6CH	0-255	Zoom	3°- 45°
7CH	0-255	Zoom Fine	
8CH	0-255	Lens Rotation	
	0-127	Index angle	0°-360°
	128-190	Clockwise rotation	fast to slow
	191-192	Stop	
193-255	Counterclockwise rotation	slow to fast	
9CH	0-255	Control	The value must stop for 5 seconds to make Effect
	0-10	No Function	
	11-16	Dimmer smooth	Dimmer menu set to smooth
	17-21	Dimmer Fast	Dimmer menu set to fast
	22-26		400HZ

	27-31	LED Frequency	1200HZ
	32-36		2000HZ
	37-41		4000HZ
	42-46		6000HZ
	47-51		8000HZ
	52-56		16000HZ
	57-61		24000HZ
	62-66	Dimmer Mode	Linear
	67-71		Square
	72-76		I-Square
	77-81		S-Shape
	82-86	Fan Mode	Fan Auto
	87-91		Fan Silent
	92-96		Fan Full
	97-101	Screen Lock	YES
	102-106		NO
	107-111	Display	ON
	112-116		10S
	117-121		30S
	122-126		1min
127-200	No Function		
201-215	Reset	Effect motor reset	
216-230		Pan/Tilt motor reset	
231-245		Overall reset	
246-255	No Function		
10CH	0-255	Aura master dimming	Dark to light
11CH	0-255	Aura dimmer Fine	
12CH	0-255	Aura Strobe	
	0-5	/	
	6-55	Synchronous strobe	The larger value, the faster speed
	56-105	Pulse strobe	The larger value, the faster speed
	106-155	Random strobe	The larger value, the faster speed
	156-205	Gradient Strobe1	The larger value, the faster speed Dark to light
206-255	Gradient Strobe2	The larger value, the faster speed Dark to light	
13CH	0-255	Aura Red	Dark to light
14CH	0-255	Aura Green	Dark to light
15CH	0-255	Aura Blue	Dark to light
16CH	0-255	Aura built-in program	Program1-program16
	0-5	/	
	6-20	Program 1	Program controlled by auxiliary light color channel
	21-35	Program 2	
	36-50	Program 3	
	51-65	Program 4	
	66-80	Program 5	
	81-95	Program 6	
	96-110	Program 7	
	111-125	Program 8	
	126-140	Program 9	
	141-155	Program 10	
	156-170	Program 11	
171-185	Program 12		

	186-200	Program 13	Program 1-Program 16 loop play
	201-215	Program 14	
	216-230	Program 15	
	231-245	Program 16	
	246-255	Auto -built-in programs	
17CH	0-255	Aura program speed	0-127 INDEX ,128 – stop 129-191 clockwise rotation from fast to slow, 192 stop, 193-255 counterclockwise rotate slow to fast
18CH	0-255	60W Dimmer	Dark to light
19CH	0-255	60W Dimmer Fine	
20CH	0-255	60W Strobe	
	0-5	/	
	6-55	Synchronous strobe	The larger value, the faster speed
	56-105	Pulse strobe	The larger value, the faster speed
	106-155	Random strobe	The larger value, the faster speed
	156-205	Gradient Strobe1	The larger value, the faster speed Dark to light
	206-255	Gradient Strobe2	The larger value, the faster speed Light to dark
21CH	0-255	Marco Color	
	0-45		
	46-50	Cyan	R=000,G=255,B=255,L=000
	51-55	Yellow	R=255,G=255,B=000,L=000
	56-60	Magenta	R=255,G=000,B=255,L=000
	61-65	Medium Yellow	R=156,G=126,B=000,L=000
	66-70	Straw Tint	R=152,G=115,B=009,L=000
	71-75	Surprise Peach	R=198,G=114,B=009,L=000
	76-80	Fire	R=255,G=056,B=000,L=000
	81-85	Medium Amber	R=255,G=135,B=000,L=000
	86-90	Gold Amber	R=255,G=100,B=000,L=000
	91-95	Dark Amber	R=255,G=065,B=000,L=000
	96-100	Sunrise Red	R=255,G=083,B=002,L=000
	101-105	Light Pink	R=255,G=112,B=000,L=141
	106-110	Medium Pink	R=255,G=087,B=000,L=107
	111-115	Pink Carnation	R=255,G=107,B=000,L=130
	116-120	Light Lavender	R=243,G=117,B=039,L=197
	121-125	Sky Blue	R=000,G=255,B=135,L=000
	126-130	Just Blue	R=000,G=194,B=130,L=000
	131-135	Dark yellow green	R=041,G=219,B=000,L=000
	136-140	Spring Yellow	R=245,G=202,B=000,L=000
	141-145	Light Amber	R=237,G=163,B=000,L=000
	146-150	Straw Tint	R=230,G=160,B=000,L=069
	151-155	Deep Amber	R=255,G=166,B=000,L=000
	156-160	Orange	R=255,G=122,B=000,L=000
	161-165	Light Rose	R=255,G=141,B=031,L=000
	166-170	Middle Rose	R=217,G=130,B=028,L=000
	171-175	Dark Pink	R=255,G=109,B=033,L=000
	176-180	Magenta	R=255,G=020,B=015,L=000
	181-185	Peacock Blue	R=051,G=255,B=051,L=000
	186-190	Steel Blue	R=206,G=255,B=056,L=000
	191-195	Light Blue	R=074,G=255,B=082,L=000
196-200	Dark Blue	R=000,G=186,B=255,L=000	
201-205	Leaf Green	R=206,G=255,B=000,L=000	

	206-210	Dark Green	R=084,G=255,B=013,L=000
	211-215	Mauve	R=227,G=041,B=056,L=000
	216-220	Deep Golden Amber	R=255,G=058,B=000,L=000
	221-225	Pale Lavender	R=255,G=197,B=061,L=000
	226-230	Primary Green	R=077,G=255,B=000,L=000
	231-235	Bright Blue	R=000,G=255,B=087,L=000
	235-240	Apricot	R=255,G=143,B=013,L=000
	241-245	Pale Gold	R=253,G=171,B=026,L=000
	246-250	Deep Orange	R=222,G=084,B=000,L=000
	251-255	Flame Red	R=255,G=046,B=002,L=000
22CH	0-255	Color temperature preset	Color temperature 2000K-8000K
	0-17	Off light	
	18-34	8000K	R=255,G=182,B=110,L=255
	35-51	7500K	R=255,G=144,B=089,L=255
	52-68	6500K	R=255,G=129,B=081,L=255
	69-85	6000K	R=255,G=121,B=073,L=255
	86-102	5600K	R=255,G=106,B=066,L=255
	103-119	5000K	R=255,G=090,B=055,L=255
	120-136	4500K	R=255,G=071,B=043,L=255
	137-153	4000K	R=255,G=055,B=034,L=255
	154-170	3500K	R=255,G=029,B=024,L=255
	171-187	3200K	R=255,G=011,B=019,L=255
	188-204	3000K	R=255,G=004,B=016,L=255
	205-221	2700K	R=255,G=000,B=009,L=203
	222-238	2500K	R=255,G=000,B=004,L=172
239-255	2000K	R=255,G=000,B=000,L=105	
23CH	0-255	LED1 Red	Dark to light
24CH	0-255	LED1 Green	Dark to light
25CH	0-255	LED1 Blue	Dark to light
26CH	0-255	LED1 Lime	Dark to light
....
....
95CH	0-255	LED19 Red	Dark to light
96CH	0-255	LED19 Green	Dark to light
97CH	0-255	LED19 Blue	Dark to light
98CH	0-255	LED19 Lime	Dark to light

251CH Mode (support DMX/Artnet/sACN.When you use DMX+Artnet mode, the 1-23CH are controlled by DMX protocol)

CH	Value	Function	Description
1CH	0-255	Pan	0°- 540°
2CH	0-255	Pan Fine	16 bit adjustable
3CH	0-255	Tilt	0°- 205°
4CH	0-255	Tile Fine	16 bit adjustable
5CH	0-255	Pan/Tilt Motor speed	fast to slow
6CH	0-255	Zoom	3°- 45°
7CH	0-255	Zoom Fine	

8CH	0-255	Lens Rotation	
	0-127	Index angle	0°-360°
	128-190	Clockwise rotation	fast to slow
	191-192	Stop	
	193-255	Counterclockwise rotation	slow to fast
9CH	0-255	Control	The value must stop for 5 seconds to make Effect
	0-10	No Function	
	11-16	Dimmer smooth	Dimmer menu set to smooth
	17-21	Dimmer Fast	Dimmer menu set to fast
	22-26	LED Frequency	400HZ
	27-31		1200HZ
	32-36		2000HZ
	37-41		4000HZ
	42-46		6000HZ
	47-51		8000HZ
	52-56		16000HZ
	57-61	24000HZ	
	62-66	Dimmer Mode	Linear
	67-71		Square
	72-76		I-Square
	77-81		S-Shape
	82-86	Fan Mode	Fan Auto
	87-91		Fan Silent
	92-96		Fan Full
	97-101	Screen Lock	YES
	102-106		NO
	107-111		ON
	112-116		10S
	117-121		30S
	122-126	1min	
	127-200	No Function	
	201-215	Reset	Effect motor reset
216-230	Pan/Tilt motor reset		
231-245	Overall reset		
246-255	No Function		
10CH	0-255	60W Master Dimmer	
11CH	0-255	60W Dimmer Fine	
12CH	0-255	60W Strobe	
	0-5	/	
	6-55	Synchronous strobe	The larger value, the faster speed
	56-105	Pulse strobe	The larger value, the faster speed
	106-155	Random strobe	The larger value, the faster speed
	156-205	Gradient Strobe1	The larger value, the faster speed Dark to light
	206-255	Gradient Strobe2	The larger value, the faster speed Light to dark
13CH	0-255	60W Red	Dark to light
14CH	0-255	60W Green	Dark to light
15CH	0-255	60W Blue	Dark to light
16CH	0-255	60W Lime	Dark to light

17CH	0-255	60W LEDs Built-in programs	Program1-program16
	0-5	/	
	6-20	Program 1	Program color is controlled by 60W color channel
	21-35	Program 2	
	36-50	Program 3	
	51-65	Program 4	
	66-80	Program 5	
	81-95	Program 6	
	96-110	Program 7	
	111-125	Program 8	
	126-140	Program 9	
	141-155	Program 10	
	156-170	Program 11	Program color is controlled by 60W color channel
	171-185	Program 12	
	186-200	Program 13	
	201-215	Program 14	
	216-230	Program 15	
231-245	Program 16		
246-255	Auto -built-in programs	Program 1-Program 16 loop play	
18CH	0-255	60W Program Speed	0-127 INDEX ,128 – stop 129-191 clockwise rotation from fast to slow, 192 stop, 193-255 counterclockwise rotate slow to fast
19CH	0-255	Marco Color	
	0-5	/	
	46-50	Cyan	R=000,G=255,B=255,L=000
	51-55	Yellow	R=255,G=255,B=000,L=000
	56-60	Magenta	R=255,G=000,B=255,L=000
	61-65	Medium Yellow	R=156,G=126,B=000,L=000
	66-70	Straw Tint	R=152,G=115,B=009,L=000
	71-75	Surprise Peach	R=198,G=114,B=009,L=000
	76-80	Fire	R=255,G=056,B=000,L=000
	81-85	Medium Amber	R=255,G=135,B=000,L=000
	86-90	Gold Amber	R=255,G=100,B=000,L=000
	91-95	Dark Amber	R=255,G=065,B=000,L=000
	96-100	Sunrise Red	R=255,G=083,B=002,L=000
	101-105	Light Pink	R=255,G=112,B=000,L=141
	106-110	Medium Pink	R=255,G=087,B=000,L=107
	111-115	Pink Carnation	R=255,G=107,B=000,L=130
	116-120	Light Lavender	R=243,G=117,B=039,L=197
	121-125	Sky Blue	R=000,G=255,B=135,L=000
	126-130	Just Blue	R=000,G=194,B=130,L=000
	131-135	Dark yellow green	R=041,G=219,B=000,L=000
	136-140	Spring Yellow	R=245,G=202,B=000,L=000
	141-145	Light Amber	R=237,G=163,B=000,L=000
	146-150	Straw Tint	R=230,G=160,B=000,L=069
	151-155	Deep Amber	R=255,G=166,B=000,L=000
156-160	Orange	R=255,G=122,B=000,L=000	
161-165	Light Rose	R=255,G=141,B=031,L=000	
166-170	Middle Rose	R=217,G=130,B=028,L=000	
171-175	Dark Pink	R=255,G=109,B=033,L=000	

	176-180	Magenta	R=255,G=020,B=015,L=000
	181-185	Peacock Blue	R=051,G=255,B=051,L=000
	186-190	Steel Blue	R=206,G=255,B=056,L=000
	191-195	Light Blue	R=074,G=255,B=082,L=000
	196-200	Dark Blue	R=000,G=186,B=255,L=000
	201-205	Leaf Green	R=206,G=255,B=000,L=000
	206-210	Dark Green	R=084,G=255,B=013,L=000
	211-215	Mauve	R=227,G=041,B=056,L=000
	216-220	Deep Golden Amber	R=255,G=058,B=000,L=000
	221-225	Pale Lavender	R=255,G=197,B=061,L=000
	226-230	Primary Green	R=077,G=255,B=000,L=000
	231-235	Bright Blue	R=000,G=255,B=087,L=000
	236-240	Apricot	R=255,G=143,B=013,L=000
	241-245	Pale Gold	R=253,G=171,B=026,L=000
	246-250	Deep Orange	R=222,G=084,B=000,L=000
	251-255	Flame Red	R=255,G=046,B=002,L=000
20CH	0-255	Color temperature preset	
	0-17	Off light	
	18-34	8000K	R=255,G=121,B=073,L=255
	35-51	7500K	R=255,G=106,B=066,L=255
	52-68	6500K	R=255,G=090,B=055,L=255
	69-85	6000K	R=255,G=071,B=043,L=255
	86-102	5600K	R=255,G=055,B=034,L=255
	03-119	5000K	R=255,G=029,B=024,L=255
	120-136	4500K	R=255,G=011,B=019,L=255
	137-153	4000K	R=255,G=004,B=016,L=255
	154-170	3500K	R=255,G=000,B=009,L=203
	171-187	3200K	R=255,G=000,B=004,L=172
	188-204	3000K	R=255,G=000,B=000,L=105
	205-221	2700K	R=000,G=255,B=255,L=000
	222-238	2500K	R=255,G=255,B=000,L=000
239-255	2000K	R=255,G=000,B=255,L=000	
21CH	0-255	Aura master dimming	Dark to Light
22CH	0-255	Aura master Dimming fine	Dark to Light
23CH	0-255	Aura Strobe	Dark to Light
	0-5	/	
	6-55	Synchronous strobe	The larger value, the faster speed
	56-105	Pulse strobe	The larger value, the faster speed
	106-155	Random strobe	The larger value, the faster speed
	156-205	Gradient Strobe1	The larger value, the faster speed
	206-255	Gradient Strobe2	Dark to light
24CH	0-255	LED20 Red	Dark to light
25CH	0-255	LED20 Green	Dark to light
26CH	0-255	LED20 Blue	Dark to light
....
....
....
249CH	0-255	LED95 Red	Dark to light
250CH	0-255	LED95 Green	Dark to light
251CH	0-255	LED95 Blue	Dark to light

321CH Mode (Support DMX/Artnet/sACN. When you use DMX+Artnet mode, the 1-17CH are controlled by DMX protocol)

CH	Value	Function	Description
1CH	0-255	Pan	0°- 540°
2CH	0-255	Pan Fine	16 bit adjustable
3CH	0-255	Tilt	0°- 205°
4CH	0-255	Tilt Fine	16 bit adjustable
5CH	0-255	Pan/Tilt Motor Speed	fast to slow
6CH	0-255	Zoom	3°- 45°
7CH	0-255	Zoom Fine	
8CH	0-255	Lens Rotation	
	0-127	Index angle	0°-360°
	128-190	Clockwise rotation	fast to slow
	191-192	Stop	
	193-255	Counterclockwise rotation	slow to fast
9CH	0-255	Control	The value must stop for 5 seconds to make Effect
	0-10	No Function	
	11-16	Dimmer smooth	Dimmer menu set to smooth
	17-21	Dimmer Fast	Dimmer menu set to fast
	22-26	LED Frequency	400HZ
	27-31		1200HZ
	32-36		2000HZ
	37-41		4000HZ
	42-46		6000HZ
	47-51		8000HZ
	52-56		16000HZ
	57-61	24000HZ	
	62-66	Dimmer Mode	Linear
	67-71		Square
	72-76		I-Square
	77-81		S-Shape
	82-86	Fan Mode	Fan Auto
	87-91		Fan Silent
	92-96		Fan Full
	97-101	Screen Lock	YES
	102-106		NO
	107-111		ON
	112-116		10S
	117-121	Display	30S
	122-126		1min
	127-200	No Function	
	201-215	Reset	Effect motor reset
	216-230		Pan/Tilt motor reset
231-245	Overall reset		
246-255	No Function		
10CH	0-255	60W Dimmer	Dark to light
11CH	0-255	60W Dimmer fine	Dark to light
12CH	0-255	60W Strobe	

	0-5	/	
	6-55	Synchronous strobe	The larger value, the faster speed
	56-105	Pulse strobe	The larger value, the faster speed
	106-155	Random strobe	The larger value, the faster speed
	156-205	Gradient Strobe1	The larger value, the faster speed
	206-255	Gradient Strobe2	Dark to light
13CH	0-255	Aura Master Dimmer	Dark to light
14CH	0-255	Aura Master Dimmer Fine	Dark to light
15CH	0-255	Aura Strobe	
	0-5	/	
	6-55	Synchronous strobe	The larger value, the faster speed
	56-105	Pulse strobe	The larger value, the faster speed
	106-155	Random strobe	The larger value, the faster speed
	156-205	Gradient Strobe1	The larger value, the faster speed
	206-255	Gradient Strobe2	Dark to light
16CH	0-255	Marco Color	
	0-45		
	46-50	Cyan	R=000,G=255,B=255,L=000
	51-55	Yellow	R=255,G=255,B=000,L=000
	56-60	Magenta	R=255,G=000,B=255,L=000
	61-65	Medium Yellow	R=156,G=126,B=000,L=000
	66-70	Straw Tint	R=152,G=115,B=009,L=000
	71-75	Surprise Peach	R=198,G=114,B=009,L=000
	76-80	Fire	R=255,G=056,B=000,L=000
	81-85	Medium Amber	R=255,G=135,B=000,L=000
	86-90	Gold Amber	R=255,G=100,B=000,L=000
	91-95	Dark Amber	R=255,G=065,B=000,L=000
	96-100	Sunrise Red	R=255,G=083,B=002,L=000
	101-105	Light Pink	R=255,G=112,B=000,L=141
	106-110	Medium Pink	R=255,G=087,B=000,L=107
	111-115	Pink Carnation	R=255,G=107,B=000,L=130
	116-120	Light Lavender	R=243,G=117,B=039,L=197
	121-125	Sky Blue	R=000,G=255,B=135,L=000
	126-130	Just Blue	R=000,G=194,B=130,L=000
	131-135	Dark yellow green	R=041,G=219,B=000,L=000
	136-140	Spring Yellow	R=245,G=202,B=000,L=000
	141-145	Light Amber	R=237,G=163,B=000,L=000
	146-150	Straw Tint	R=230,G=160,B=000,L=069
	151-155	Deep Amber	R=255,G=166,B=000,L=000
	156-160	Orange	R=255,G=122,B=000,L=000
	161-165	Light Rose	R=255,G=141,B=031,L=000
	166-170	Middle Rose	R=217,G=130,B=028,L=000
	171-175	Dark Pink	R=255,G=109,B=033,L=000
	176-180	Magenta	R=255,G=020,B=015,L=000
	181-185	Peacock Blue	R=051,G=255,B=051,L=000
	186-190	Steel Blue	R=206,G=255,B=056,L=000
	191-195	Light Blue	R=074,G=255,B=082,L=000
196-200	Dark Blue	R=000,G=186,B=255,L=000	
201-205	Leaf Green	R=206,G=255,B=000,L=000	
206-210	Dark Green	R=084,G=255,B=013,L=000	
211-215	Mauve	R=227,G=041,B=056,L=000	

	216-220	Deep Golden Amber	R=255,G=058,B=000,L=000
	221-225	Pale Lavender	R=255,G=197,B=061,L=000
	226-230	Primary Green	R=077,G=255,B=000,L=000
	231-235	Bright Blue	R=000,G=255,B=087,L=000
	235-240	Apricot	R=255,G=143,B=013,L=000
	241-245	Pale Gold	R=253,G=171,B=026,L=000
	246-250	Deep Orange	R=222,G=084,B=000,L=000
	251-255	Flame Red	R=255,G=046,B=002,L=000
17CH	0-255	color temperature preset	Color temperature 2000K-8000K
	0-17	Off light	
	18-34	8000K	R=255,G=182,B=110,L=255
	35-51	7500K	R=255,G=144,B=089,L=255
	52-68	6500K	R=255,G=129,B=081,L=255
	69-85	6000K	R=255,G=121,B=073,L=255
	86-102	5600K	R=255,G=106,B=066,L=255
	03-119	5000K	R=255,G=090,B=055,L=255
	120-136	4500K	R=255,G=071,B=043,L=255
	137-153	4000K	R=255,G=055,B=034,L=255
	154-170	3500K	R=255,G=029,B=024,L=255
	171-187	3200K	R=255,G=011,B=019,L=255
	188-204	3000K	R=255,G=004,B=016,L=255
	205-221	2700K	R=255,G=000,B=009,L=203
	222-238	2500K	R=255,G=000,B=004,L=172
239-255	2000K	R=255,G=000,B=000,L=105	
18CH	0-255	LED 1 Red	Dark to light
19CH	0-255	LED 1 Green	Dark to light
20CH	0-255	LED 1 Blue	Dark to light
21CH	0-255	LED 1 Lime	Dark to light
....
....
....
90CH	0-255	LED 19 Red	Dark to light
91CH	0-255	LED 19 Green	Dark to light
92CH	0-255	LED 19 Blue	Dark to light
93CH	0-255	LED 19 Lime	Dark to light
94CH	0-255	LED 20 Red	Dark to light
95CH	0-255	LED 20 Green	Dark to light
96CH	0-255	LED 20 Blue	Dark to light
....
....
....
319CH	0-255	LED95 Red	Dark to light
320CH	0-255	LED95 Green	Dark to light
321CH	0-255	LED95 Blue	Dark to light

SPECIFICATIONS

◆ **SOURCE:**

19pcs* 60W RGBL LEDs
76pcs* 0.5W RGB LEDs
50,000 Hour Average LED Life*

◆ **PHOTOMETRIC DATA:**

CRI 80+
Zoom Range 4.5° - 60°

◆ **EFFECTS**

Motorized Zoom
Linear Color Temperature Presets (2000 -8000K)
RGBL Color Mixing and Pixel Control
RGB Spark LED Lens Effect
Color Presets and Macros
Electronic Strobe and Variable Dimming Curves
16 - Bit Dimming

◆ **CONTROL / CONNECTIONS:**

26/98/251/321 DMX Channel Modes
Pan Movement: 540°
Tilt Movement: 210°
DMX Adjustable Refresh Rate (800 - 24000 Hz)
Full Color 180° Reversible LCD Menu Display
RDM Support
IP65 5pin XLR DMX In/Out
IP65 RJ45 Ethernet In/Out (Art- Net, sACN)
IP65 Locking Power Cable In
With Wired Digital Communication Network

◆ **SIZE / WEIGHT:**

Length: 430X280X514 mm
Weight: 23 KGS

◆ **ELECTRICAL / THERMAL:**

AC 100-240V 50/60Hz
1500W Max Power Consumption
BTU/hr (+/- 10%) 2387

◆ **IP65**

DIMENSIONAL DRAWINGS

