

ROCKVILLE

BATTERY STRIP 24

RECHARGEABLE RGBW DJ WASH
LIGHTBAR w/DMX and REMOTE CONTROL

OWNER'S MANUAL

ATTENTION:
VISIT THE ROCKVILLE SUPPORT SITE FIRST!

Who reads manuals?

Scan the **QR code** or go to **rockvillesupport.com/battery-strip-24** to access how-to video(s), the owner's manual, and other important information you may need to get the most out of your item.

If you prefer written instructions, please read ahead!

With Rockville you get many options.



Missing items? If you ordered a bundle that includes more than one product and you are missing part of your bundle then it just means your order shipped from two different warehouses. You will receive the remaining items very soon. If you have any concerns or inquiries, feel free to call our customer support center at 1-646-758-0144, 24 hours a day/7 days a week.

ROCKWELL

Thank you for purchasing the Rockville BATTERY STRIP 24 Rechargeable RGBW DJ Wash Lightbar w/DMX and Remote Control. Please read the owner's manual carefully for proper use of your BATTERY STRIP 24. Should you need assistance please call our technical help line at 1-646-758-0144, 24 hours a day/7 days a week.

Includes

- Battery powered light strip
- (2) brackets
- Power cable
- Owner's manual
- Warranty card

IMPORTANT SAFETY INSTRUCTIONS



NO USER SERVICEABLE PARTS INSIDE. WE RECOMMEND TAKING THE UNIT TO A QUALIFIED SERVICE TECHNICIAN FOR ANY REPAIRS.

- To reduce risk of electric shock, never open the unit. There are no serviceable parts, refer service to Rockville.
- Avoid looking directly into the lights.
- Do not expose this unit to any kind of moisture.
- The products housing may become hot during operation. Do not touch.
- Do not attempt to operate this unit if the power cord has been frayed or broken.
- Do not attempt to break off or remove the ground prong. This prong is used to reduce the risk of electrical shock and fire in case of an internal short.
- Never plug this unit into a dimmer pack.
- Do not operate this unit if it is damaged.
- This unit is intended for indoor use only.
- During long periods of non-use, disconnect the unit from power source.
- Always mount this unit in a safe and stable matter.
- Power supply cords should be routed so that they are not likely to be walked on or pinched by items placed upon or against them, paying particular attention to the point of exit from the unit.
- To avoid unnecessary wear and to improve the unit's lifespan, unplug the unit when not in use for extended periods of time.
- Assembly and installation of the device must be carried out by a specialist familiar with the hazards and the relevant regulations. Maintenance, operation and commissioning of this device must only be carried out by qualified persons.
- When choosing a location for your device, make sure to avoid impact, vibration, dust, hot and cold temperatures and dampness. Furthermore, no powerful transformers or motors must be used close to the device.
- The effect light must only be operated at a maximum ambient temperature of 104° Fahrenheit (40 °C).
- Never cover the device. Make sure when mounting with other equipment that there is sufficient ventilation. Maintain a sufficient distance to other devices and walls. Never install the effect light in direct proximity of heat sources. Do not point any strong spot lights or light sources towards the device. This may cause overheating (danger of fire!).

- Do not drill or screw additional screws into the casing in order to fasten the device. This may expose dangerous voltage to touch.
- The device must be mounted out of normal reach.
- Illuminated objects must be at least 0.5 m away from the device's light emission source. Easily flammable materials such as decorative fabrics must also have a distance of at least 0.5 m to the device. Otherwise, such objects may catch fire!
- When mounting the product, make sure that the power cord is neither jammed nor damaged by sharp edges.
- The installation surface or mounting fixture needs to be designed in a way that it can take 10 times its load capacity for at least 1 hour without permanent damaging deformation.
- It is also essential that the device is secured by means of a second safety restraint that is independent of the actual mounting supports when installing it in an elevated position. No part of the installation must fall down if the main suspension system fails.
- Observe all relevant regulations of your country when installing the device.

Maintenance and Cleaning

Always observe the following safety instructions before cleaning or servicing the effect light:

- Live components may be exposed if covers are opened or components are removed.
- The device must be disconnected from all power sources before any servicing or repair work is carried out.
- Capacitors inside the device may still carry voltage even though they have been disconnected from all power sources.
- Only qualified experts familiar with the hazards involved and the relevant regulations must perform repairs.
- Never use any aggressive cleaning agents, cleaning alcohol or other chemical solutions, since these may damage the casing or even impair function.
- Always disconnect the product from the power supply before cleaning it.
- Use a dry, lint-free cloth for cleaning the product.

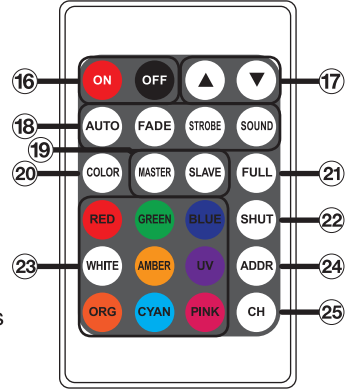
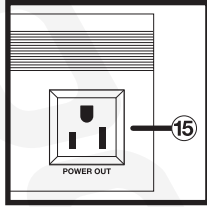
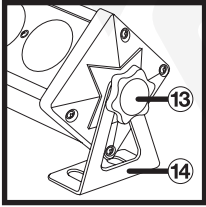
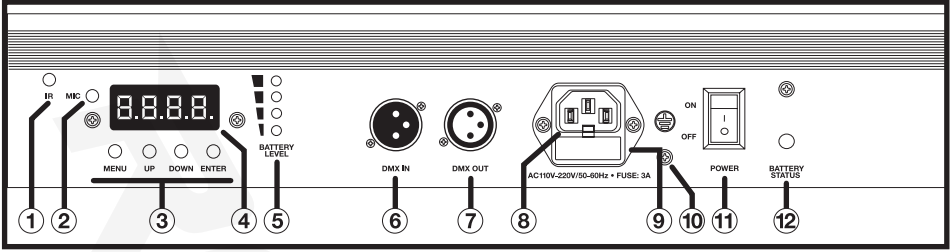
! **ATTENTION:** Before using the unit for the first time, completely charge the battery for up to 8 hours.

To charge the light, plug in the power cord and turn off the POWER switch.

The unit's battery life depends on the operating mode and on the ambient temperature. Low temperatures will reduce the run time considerably.

Always charge your light for 6 hours when the battery has been fully drained.

Functions



1. Infrared remote control sensor
2. Sound control input mic
3. Controls: Menu - Press repeatedly to see mode options
Up - Scroll up through settings
Down - Scroll down through settings
Enter - Use to make selection
4. LCD display
5. Battery level LED indicators
6. DMX in
7. DMX out
8. IEC AC power socket
9. User serviceable fuse compartment
10. Ground point
11. Power switch
12. Battery power and charging LED indicator
13. Mounting clamp adjustment knob
14. Mounting clamp
15. Power linking socket (power out)

Remote Control Operation

16. On/Off buttons
17. Dimming/Speed: Short-press to adjust brightness (dimming), long-press to adjust speed.
18. Modes: Auto - Activate/deactivate auto color switching mode.
Fade - Activate/deactivate auto fade mode.
Strobe - Activate/deactivate strobe mode.
Sound - Activate/deactivate sound mode.
19. Master/Slave: Set master slave mode
20. Color

21. Full

22. Shut

23. Red, Green, Blue, White, Amber, UV, Org (orange), Cyan, and Pink LED buttons

24. Addr: Set DMX address

25. CH: Select DMX channel mode

Charging

To charge the BATTERY STRIP 24, plug the power cable into any 110v wall socket, plug the other end to the unit's power input socket, and turn off the power. Charge the battery for 6 hours to attain a full charge. After a full charge, the battery can last 3 hours with all colors on, 6 hours with two colors on, or 8 hours with one color on. Results will vary based on LED brightness and ambient temperature. Lower temps will significantly shorten battery run time.

PLEASE NOTE: The fixture must be charged for 8 hours when charging for the first time.

Operation

Use the MENU button to enter the settings menu. Use the UP and DOWN buttons to select the desired setting and set their values. Press and hold the UP and DOWN buttons to scroll quickly through the menu options. Press the ENTER button to save your selection. Press MENU to exit.

Display Mode	Value	Description	
Addr	ADDR - ADDR	DMX address code	
Chnd	6Ch	6 Channel DMX mode	
	9Ch	9 Channel DMX mode	
	16Ch	16 Channel DMX mode	
	30Ch	30 Channel DMX mode	
	58Ch	58 Channel DMX mode	
SLnd	MASTER	Master fixture setting	
	SL 1 - SL 2	Slave fixture settings	
Sound	SO 0 - SO 16	Sound activated mode sensitivity	
	SE 00 - SE 99	Automatic sound activated modes	
Auto	AU 0 - AU 16	SP 1	Auto select
		SP 9	Auto speed effect
Color	CO 1	Color settings	
	CO 15		
Dimm	RED	0 - 255	Red dimmer
	GR EE		Green dimmer
	BL UE		Blue dimmer
	WH IT		RGB dimmer
dISP - dSIP		Digital display on/off	
uEr	u 11	Software version	

Master/Slave Mode

1. Connect to power source and turn on all fixtures.
2. Connect all fixtures via the DMX IN/DMX OUT ports.
3. Set all fixtures to DMX mode (A001 on the display) and select the channel mode, ChNd.
4. Select SLNd on the display menu of the first fixture and choose nASt to make it the master.
To set other fixtures as slaves, select SLNd and then choose SL 1 or SL 2.

Sound Mode

When in sound mode (SoUn) the unit will strobe in time to any available loud audio or music via the built-in microphone. To activate this mode, press the MENU button until the display shows SoUn then press the ENTER button. The display will now show the available sound modes (0 – 16). Press the ENTER button and use the UP and DOWN buttons to select the desired sound mode. Press ENTER again to save your selection.

To set the sensitivity of the microphone, use the UP and DOWN buttons to select SeXX from the sound mode menu. Use the UP and DOWN buttons to adjust the microphone's sensitivity (0 – 99). The higher the number, the more sensitive the microphone will be. Press the ENTER button to save your selection.

Auto Mode

To enter auto mode, press the MENU button until the display shows Aut0 then press the ENTER button to confirm. Press the MENU button again, then use the UP and DOWN buttons to cycle through the various auto shows (1 – 16). Once you've chosen the desired show, press ENTER and use the UP and DOWN buttons to cycle through the available speeds (1 – 9). Choose the desired speed and press ENTER to save your settings.

Preset Color Mode

Press the MENU button until the display shows Colo. Press ENTER and then use the UP and DOWN buttons to cycle through the preset colors (1 – 15). Once you have selected the desired color, the menu will start flashing. Once it has stopped, the unit will remain on that color until you change it.

Manual Color Mode

Press the MENU button until the display shows nanu. Press ENTER and the display will show the first color to edit. Press the ENTER button and use the UP and DOWN buttons to adjust the amount of the color that will be displayed (0 – 255). Next press ENTER to return to the color selection menu. Select the next color to edit and repeat the steps above. Once you have set the desired colors, wait for the screen to stop flashing. The unit will now remain on your chosen color selection until you change it.

Display Mode

Press the MENU button until the display shows dISP. Use the UP and DOWN buttons to cycle between dISP and dSIP. Selecting either will cause the display to flip 180° so it can be viewed from above or below, depending on the unit's orientation. Press ENTER to save setting.

Software Version

Press the MENU button until the display shows uEr, then press the ENTER button to show the current software version.

DMX Mode

The BATTERY STRIP 24 can be controlled via any DMX Controller. From your DMX controller you can change the color, control different modes, create scenes, and program chases. You can also daisy chain multiple BATTERY STRIP 24 units together via DMX cables. The fixture uses 6, 9, 16, 30, or 58 channels depending what DMX mode you are in.

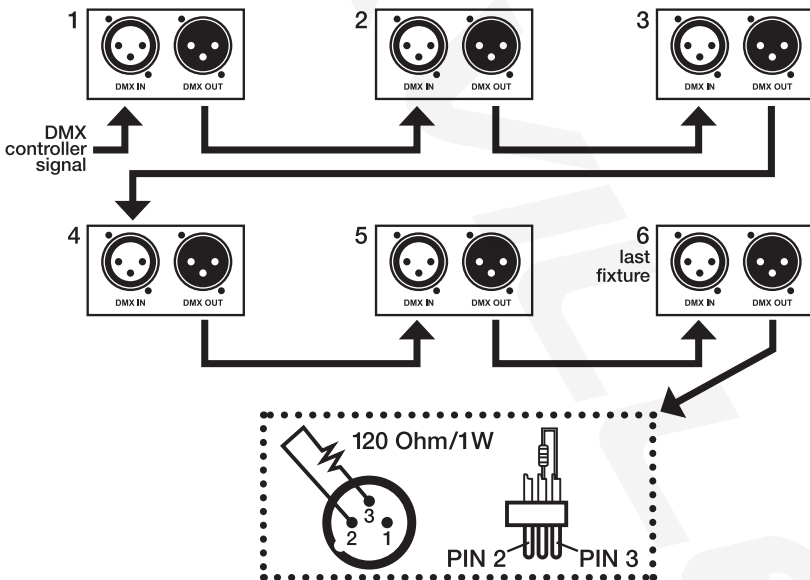
DMX Address and Channel Settings

To select the DMX address, press the MENU button until you see Addr. Use the UP and DOWN buttons to set the address of the light. If you are using this light with a DMX controller be sure to set each light fixture 16 channels apart to get independent control of each fixture. For example if you had two lights you would set the first light to DMX channel A001 and the second light to A017 and so on and so forth. Press the ENTER button to save your selection. To set the DMX channel press the MENU button until you see ChNd (channel select menu). Use the UP and DOWN buttons to select the channel mode (6, 9, 16, 30, or 59). Press ENTER to save the setting.

DMX Termination (Optional)

The last fixture of a DMX chain has to be “terminated”. This prevents electrical noise from disturbing and corrupting the DMX control signals. To terminate the last fixture solder a ¼ Watt, 120 Ohm resistor across the DATA - and DATA + wires. The connections are illustrated below. If you are only connecting a few fixtures which are close together and use a short run to the controller, you may be able to operate without a terminator. Please see the diagram below.

DMX Termination Diagram



DMX Controller Function

When using a DMX controller, use the chart below to reference each channel's function.

6-Channel Mode

Ch.	Function	Value	Description
1	Red	0 – 255	Adjust individual LED brightness
2	Green	0 – 255	
3	Blue	0 – 255	
4	White	0 – 255	
5	Color Chase	0 – 255	Select chase (see Color Chase Table)
6	Chase Speed	0 – 255	Set chase speed

9-Channel Mode

Ch.	Function	Value	Description
1	Master Dimmer	0 – 255	Adjust all LED brightness
2	Strobe	0 – 255	Set strobe speed
3	Red	0 – 255	Adjust individual LED brightness
4	Green	0 – 255	
5	Blue	0 – 255	
6	White	0 – 255	
7	Auto Programs	0 – 255	Select automatic program setting
8	Color Chase	0 – 255	Select chase (see Color Chase Table)
9	Chase Speed	0 – 255	Set chase speed

16-Channel Mode

Ch.	Function	Value	Description
1	Master Dimmer 1	0 – 255	Adjust all LED brightness
2	Strobe 1	0 – 255	Set strobe speed
3	Red	0 – 255	Adjust individual LED brightness
4	Green	0 – 255	
5	Blue	0 – 255	
6	White	0 – 255	
7	Auto Program 1	0 – 255	Select automatic program setting
8	Master Dimmer 2	0 – 255	Adjust all LED brightness
9	Strobe 2	0 – 255	Set strobe speed
10	Red	0 – 255	Adjust individual LED brightness
11	Green	0 – 255	
12	Blue	0 – 255	
13	White	0 – 255	
14	Auto Program 2	0 – 255	Select automatic program setting
15	Color Chase	0 – 255	Select chase (see Color Chase Table)
16	Chase Speed	0 – 255	Set chase speed

30-Channel Mode

Ch.	Function	Value	Description
1	Master Dimmer 1	0 – 255	Adjust all LED brightness
2	Strobe 1	0 – 255	Set strobe speed
3	Red 1	0 – 255	Adjust individual LED brightness
4	Green 1	0 – 255	
5	Blue 1	0 – 255	
6	White 1	0 – 255	
7	Auto Program 1	0 – 255	Select automatic program setting
8	Master Dimmer 2	0 – 255	Adjust all LED brightness
9	Strobe 2	0 – 255	Set strobe speed
10	Red 2	0 – 255	Adjust individual LED brightness
11	Green 2	0 – 255	
12	Blue 2	0 – 255	
13	White 2	0 – 255	
14	Auto Program 2	0 – 255	Select automatic program setting
15	Master Dimmer 3	0 – 255	Adjust all LED brightness
16	Strobe 3	0 – 255	Set strobe speed
17	Red 3	0 – 255	Adjust individual LED brightness
18	Green 3	0 – 255	
19	Blue 3	0 – 255	
20	White 3	0 – 255	
21	Auto Program 4	0 – 255	Select automatic program setting
22	Master Dimmer 4	0 – 255	Adjust all LED brightness
23	Strobe 4	0 – 255	Set strobe speed
24	Red 4	0 – 255	Adjust individual LED brightness
25	Green 4	0 – 255	
26	Blue 4	0 – 255	
27	White 4	0 – 255	
28	Auto Program 4	0 – 255	Select automatic program setting
29	Color Chase	0 – 255	Select chase (see Color Chase Table)
30	Chase Speed	0 – 255	Set chase speed

58-Channel Mode

Ch.	Function	Value	Description
1	Master Dimmer 1	0 – 255	Adjust all LED brightness
2	Strobe 1	0 – 255	Set strobe speed
3	Red 1	0 – 255	Adjust individual LED brightness
4	Green 1	0 – 255	
5	Blue 1	0 – 255	

58-Channel Mode (continued)

Ch.	Function	Value	Description
6	White 1	0 – 255	Adjust individual LED brightness
7	Auto Program 1	0 – 255	Select automatic program setting
8	Master Dimmer 2	0 – 255	Adjust all LED brightness
9	Strobe 2	0 – 255	Set strobe speed
10	Red 2	0 – 255	Adjust individual LED brightness
11	Green 2	0 – 255	
12	Blue 2	0 – 255	
13	White 2	0 – 255	
14	Auto Program 2	0 – 255	Select automatic program setting
15	Master Dimmer 3	0 – 255	Adjust all LED brightness
16	Strobe 3	0 – 255	Set strobe speed
17	Red 3	0 – 255	Adjust individual LED brightness
18	Green 3	0 – 255	
19	Blue 3	0 – 255	
20	White 3	0 – 255	
21	Auto Program 3	0 – 255	Select automatic program setting
22	Master Dimmer 4	0 – 255	Adjust all LED brightness
23	Strobe 4	0 – 255	Set strobe speed
24	Red 4	0 – 255	Adjust individual LED brightness
25	Green 4	0 – 255	
26	Blue 4	0 – 255	
27	White 4	0 – 255	
28	Auto Program 4	0 – 255	Select automatic program setting
29	Master Dimmer 5	0 – 255	Adjust all LED brightness
30	Strobe 5	0 – 255	Set strobe speed
31	Red 5	0 – 255	Adjust individual LED brightness
32	Green 5	0 – 255	
33	Blue 5	0 – 255	
34	White 5	0 – 255	
35	Auto Program 5	0 – 255	Select automatic program setting
36	Master Dimmer 6	0 – 255	Adjust all LED brightness
37	Strobe 6	0 – 255	Set strobe speed
38	Red 6	0 – 255	Adjust individual LED brightness
39	Green 6	0 – 255	
40	Blue 6	0 – 255	
41	White 6	0 – 255	
42	Auto Program 6	0 – 255	Select automatic program setting

58-Channel Mode (continued)

Ch.	Function	Value	Description
43	Master Dimmer 7	0 – 255	Adjust all LED brightness
44	Strobe 7	0 – 255	Set strobe speed
45	Red 7	0 – 255	Adjust individual LED brightness
46	Green 7	0 – 255	
47	Blue 7	0 – 255	
48	White 7	0 – 255	
49	Auto Program 7	0 – 255	Select automatic program setting
50	Master Dimmer 8	0 – 255	Adjust all LED brightness
51	Strobe 8	0 – 255	Set strobe speed
52	Red 8	0 – 255	Adjust individual LED brightness
53	Green 8	0 – 255	
54	Blue 8	0 – 255	
55	White 8	0 – 255	
56	Auto Program 8	0 – 255	Select automatic program setting
57	Color Chase	0 – 255	Select chase (see Color Chase Table)
58	Chase Speed	0 – 255	Set chase speed

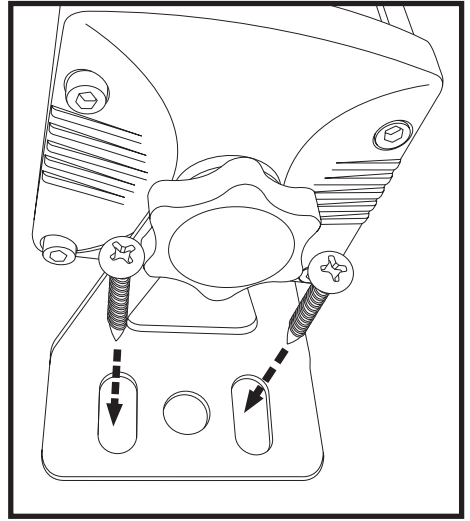
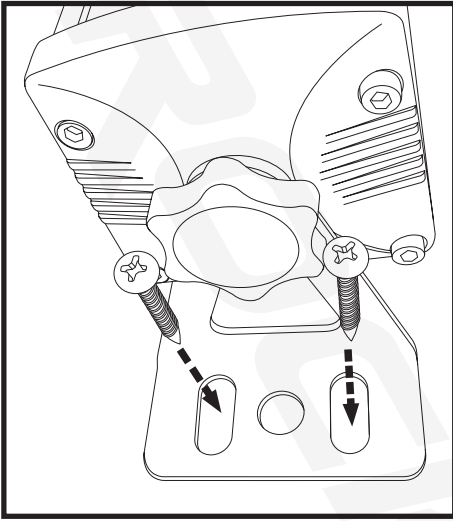
Color Chase Table

Color Chase	No Function	0 – 007
	Color Chase 1	008 – 022
	Color Chase 2	023 – 037
	Color Chase 3	038 – 052
	Color Chase 4	053 – 067
	Color Chase 5	068 – 082
	Color Chase 6	083 – 097
	Color Chase 7	098 – 112
	Color Chase 8	113 – 127
	Color Chase 9	128 – 142
	Color Chase 10	143 – 157
	Color Chase 11	158 – 172
	Color Chase 12	172 – 187
	Color Chase 13	188 – 202
	Color Chase 14	203 – 217
	Color Chase 15	218 – 232
	Color Chase 16	233 – 247
Sound Activated Mode	248 – 255	

Installation

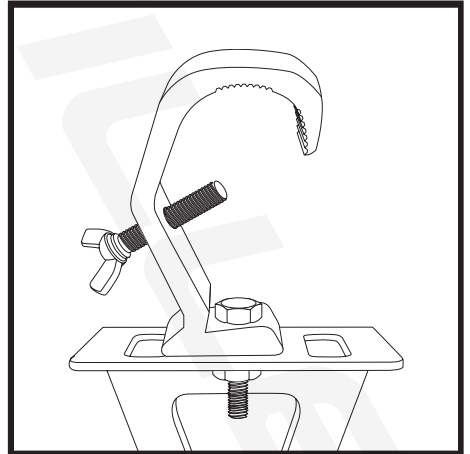
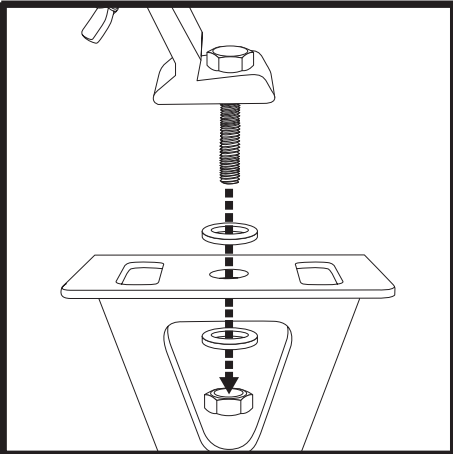
Floor/Wall Installation

For floor or wall installation, use the appropriate type of screws and anchors, if necessary, to secure the fixture to the mounting surface.



Truss Installation

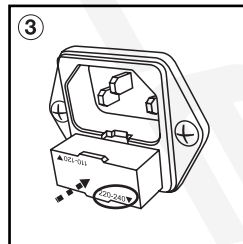
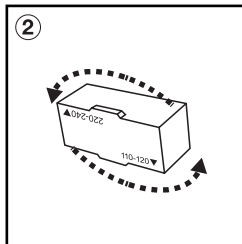
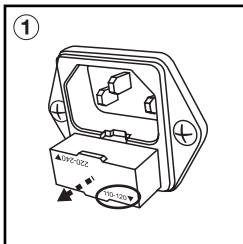
If the fixture is being hung from a truss, use a mounting clamp (not included). First, secure the mounting clamp to the fixture as shown below. Please note, your mounting clamp may differ from the one in the illustration. Refer to your clamp's manual for mounting instructions. Now hang the fixture from the truss, making sure to properly secure your clamp to the truss.



Features and Specifications

- LEDs: 24Pcs 4-in-1 RGBW LEDs (4W each)
- Built-in 11,000mAh lithium battery
- Single color run time: 8 hours
- Double color run time: 6 hours
- All color run time: 3 hours
- Recharging time: 6 hours
- DMX Channels: 6/9/16/30/58
- Static colors & RGBW color mixing
- Built-in automated programs
- Master/slave controls allow you to link multiple lights together
- LED life: 100,000 hours
- Dimmer: 0 – 100%
- Strobe setting with adjustable speed
- 3 pin DMX input & output
- Includes bracket with adjustable angle
- Extremely bright and vivid colors
- Perfect for wall washing, dance floor color mixing, and behind your façade
- Color change, strobe, dimmer, and gradual color change modes
- Color: 16.7 million colors
- Remote control
- LCD display for easy to use settings
- Battery indicator
- Beam angle: 35°
- Battery will still work even after hundreds of charging cycles
- Battery overcharging protection
- Voltage: 110/220 switchable (AC 110V – 220V/50 – 60Hz)
- Consumption: 100W
- Fuse: 3A
- Weight: 6.61lbs. (3.0kg)
- Dimensions: 43.3" x 2.36" x 2.36"

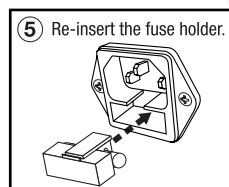
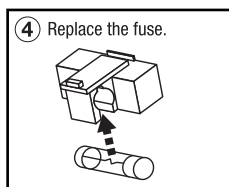
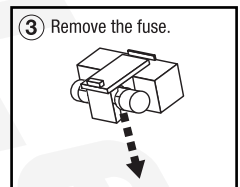
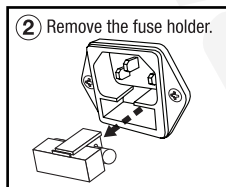
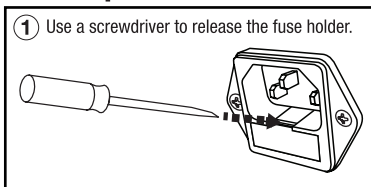
Voltage Switching Procedure



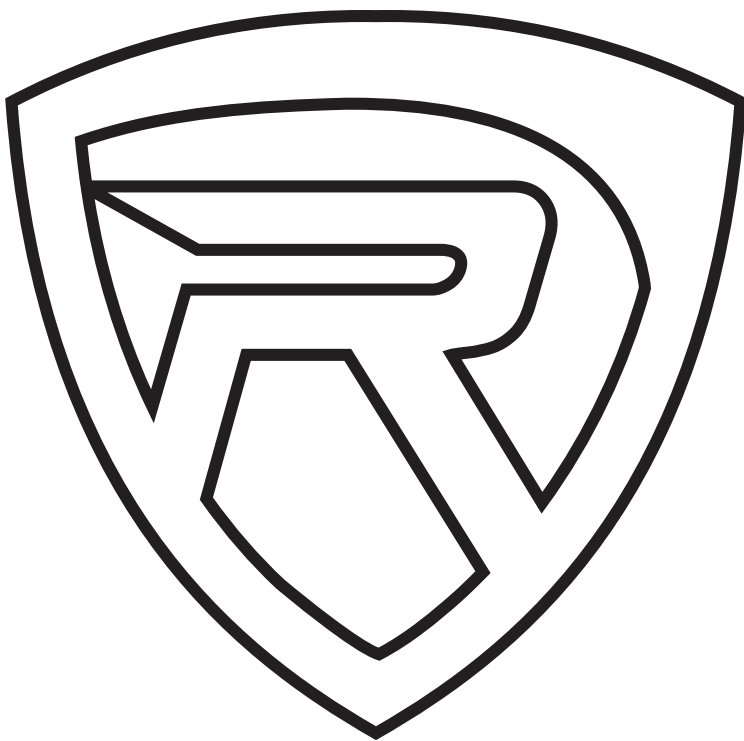
Troubleshooting

PROBLEM	SOLUTION
No Power	<ol style="list-style-type: none">1. Make sure the unit is properly plugged in and that the power outlet is functioning properly.2. Check the fuse and replace if necessary. Always use the same type of fuse (see diagram below).3. Check that the power cord is not damaged.
No power (battery mode)	<ol style="list-style-type: none">1. Make sure the unit is fully charged and the power switch is in the "ON" position.2. Charge the battery for at least 4 hours. Make sure the power switch is in the OFF position while charging.
No fixture DMX response	<ol style="list-style-type: none">1. Make sure that the starting address at the fixture is correct and all other fixtures are set to the same address.2. Make sure the DMX channel setting is the same for all fixtures.3. Make sure you are using the correct faders on the controller.4. Make sure you are using the correct fixture template and assign controller faders accordingly.5. Change the signal polarity at the controller.6. Check your DMX cables to ensure they are not damaged.7. Check that the DMX cables are connected properly and are wired correctly (pin 3 is "hot"; on some other DMX devices pin 2 may be "hot"). Also, check that all cables are connected to the right connectors; it <i>does</i> matter which way the inputs and outputs are connected.
Intermittent DMX problems	<ol style="list-style-type: none">1. Make sure the cable you are using are DMX compatible. Use true DMX cables.2. Keep DMX cables away from any AC wires or radio equipment.3. Install a terminator.4. If you are running a long DMX cable or have a large number of units connected, use an optically coupled DMX amplifier.
Unit does not respond to sound	<ol style="list-style-type: none">1. Quiet or high-pitched sounds will not activate the unit.2. Make sure that Sound control mode is turned on.

Fuse Replacement



ROCKVILLE



RockvilleAudio.com

© 2022 ROCKVILLE // Features and specifications are subject to change and/or improvement without notice.